

Bible Story 311

**THE
SEVEN
TRUMPETS**

REVELATION 8:7-9:21; 11:15-19



Seven angels sound seven trumpets.
REVELATION 8:7-9:21; 11:15-19

311. THE SEVEN TRUMPETS

(REVELATION 8:6-9:21; 11:15-19)

MEMORY VERSE:

"Then the seventh angel sounded: And there were loud voices in heaven, saying, 'The kingdoms of this world have become the kingdoms of our Lord and of His Christ, and He shall reign forever and ever!' " REVELATION 11:15

So the seven angels who had the seven trumpets prepared themselves to sound...

TRUE OR FALSE:

1. "THE FIRST ANGEL SOUNDED: And hail and fire followed, mingled with blood, and they were thrown to the earth; and a third of the trees were burned up, and all green grass was burned up." REVELATION 8:7
TRUE OR FALSE

CIRCLE THE CORRECT WORD:

2. "THEN THE SECOND ANGEL SOUNDED: And something like a great (MOUNTAIN, BUSH) burning with fire was thrown into the sea..." REVELATION 8:8

UNDERLINE THE CORRECT ANSWER:

3. "THEN THE THIRD ANGEL SOUNDED:..." REVELATION 8:10-11
- a great star fell from heaven
 - the star was burning like a torch
 - the star fell on a third of the rivers and on the springs of water
 - the name of the star is Wormwood
 - all of the above

TRUE OR FALSE:

4. "THEN THE FOURTH ANGEL SOUNDED: And a third of the sun was struck, a third of the moon, and a third of the stars, so that a third of them were darkened." REVELATION 8:12
TRUE OR FALSE

CIRCLE THE CORRECT WORDS:

5. "THEN THE FIFTH ANGEL SOUNDED: And I saw a star fallen from heaven to the earth. And to him was given the (KEY, CHAIN) to the bottomless pit." REVELATION 9:1
6. "THEN THE SIXTH ANGEL SOUNDED: And I heard a voice from the four horns of the golden altar which is before God, saying to the sixth angel who had the trumpet, '(BIND, RELEASE) the four angels who are bound at the great river Euphrates.'" REVELATION 9:13-14

TRUE OR FALSE:

7. "THEN THE SEVENTH ANGEL SOUNDED: And there were loud voices in heaven, saying, 'The kingdoms of this world have become the kingdoms of our Lord and of His Christ, and He shall reign forever and ever!' " REVELATION 11:15
TRUE OR FALSE

311. THE SEVEN TRUMPETS

(REVELATION 8:7-9:21, 11:15-19)

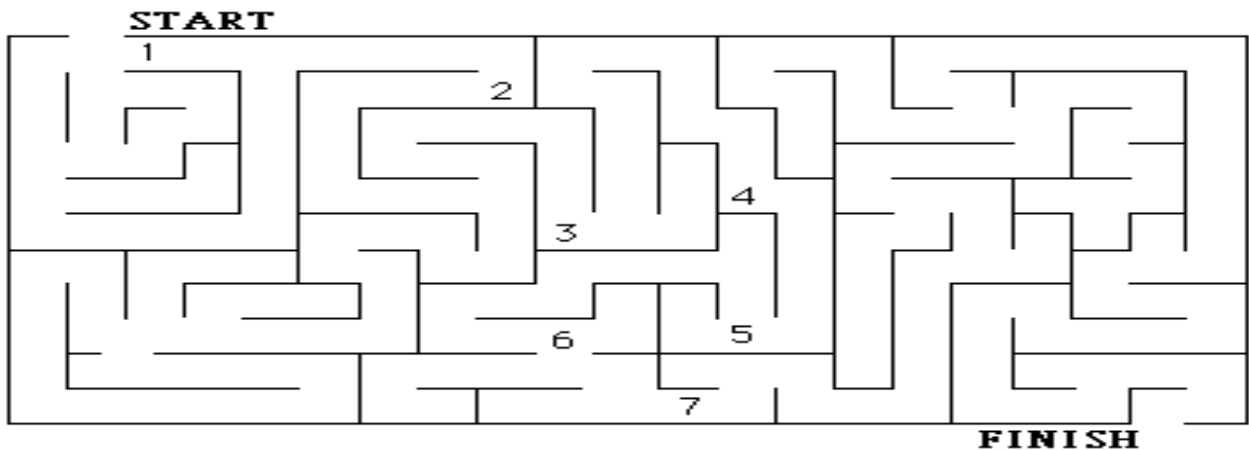
S R I V E R S R A T S M S E E
 C E P Q I V F M B E O O O L
 O C A I U B D U O O M W N S D
 R U R E T T I B N K H M E M E
 P F S T E P M U R T E O V O R
 I I B L O O D A C A A U E D S
 O R Z P W M G V G V V N S G G
 N E L A R N E W E L E T G N L
 W D E P I H S R O W N A O I H
 G V R W A T E R T R V I D K L
 I J S T S U C O L E M N B Y O
 L S L E G N A B L H M W J T R
 H O R S E M E N H L A P O N D
 S W U U V W S P I H S I L O S
 J N K T S I R H C Z R E L E D

ANGELS
 ARK
 BITTER
 BLOOD
 CHRIST
 ELDERS
 FIRE
 HAIL

HEAVEN
 HORSEMEN
 KINGDOMS
 LOCUSTS
 LORD
 MOON
 MOUNTAIN
 PIT

RIVERS
 SCORPION
 SEA
 SEVEN
 SHIPS
 SMOKE
 STAR

SUN
 TEMPLE
 TRUMPETS
 WATER
 WOE
 WORMWOOD
 WORSHIPED



311. THE SEVEN TRUMPETS

(REVELATION 8:6-9:21; 11:15-19)

MEMORY VERSE:

"Then the seventh angel sounded: And there were loud voices in heaven, saying, 'The kingdoms of this world have become the kingdoms of our Lord and of His Christ, and He shall reign forever and ever!'" REVELATION 11:15

So the seven angels who had the seven trumpets prepared themselves to sound...

TRUE OR FALSE:

1. "THE FIRST ANGEL SOUNDED: And hail and fire followed, mingled with blood, and they were thrown to the earth; and a third of the trees were burned up, and all green grass was burned up." REVELATION 8:7
TRUE OR FALSE

FILL IN THE BLANK:

2. "THEN THE SECOND ANGEL SOUNDED: And something like a great _____ burning with fire was thrown into the sea..." REVELATION 8:8

UNDERLINE THE CORRECT ANSWER:

3. "THEN THE THIRD ANGEL SOUNDED:..." REVELATION 8:10-11
- a. a great star fell from heaven
 - b. the star was burning like a torch
 - c. the star fell on a third of the rivers and on the springs of water
 - d. the name of the star is Wormwood
 - e. all of the above

TRUE OR FALSE:

4. "THEN THE FOURTH ANGEL SOUNDED: And a third of the sun was struck, a third of the moon, and a third of the stars, so that a third of them were darkened." REVELATION 8:12
TRUE OR FALSE

FILL IN THE BLANKS:

5. "THEN THE FIFTH ANGEL SOUNDED: And I saw a star fallen from heaven to the earth. And to him was given the _____ to the bottomless pit." REVELATION 9:1
6. "THEN THE SIXTH ANGEL SOUNDED: And I heard a voice from the four horns of the golden altar which is before God, saying to the sixth angel who had the trumpet, '_____ the four angels who are bound at the great river Euphrates.'" REVELATION 9:13-14

TRUE OR FALSE:

7. "THEN THE SEVENTH ANGEL SOUNDED: And there were loud voices in heaven, saying, 'The kingdoms of this world have become the kingdoms of our Lord and of His Christ, and He shall reign forever and ever!'"
REVELATION 11:15
TRUE OR FALSE

311. THE SEVEN TRUMPETS

(REVELATION 8:7-9:21, 11:15-19)

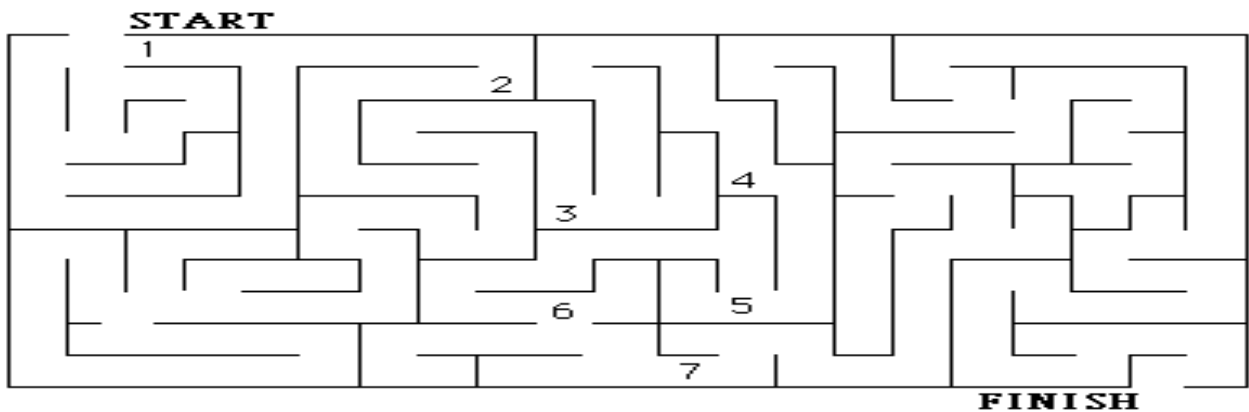
B I B Z Z U E L U L K P A C I E A Y M A I N F C U R I U K E
 K A S G N I R P S W Q T W C K F E U V S K M W Y V W O S O E
 E Q R W J M J J D J K A B V B P C D W F E C D R O L Q S M O
 F D S K P D K C S U T V V Z P T N L Z N Y D Y D L Y H A Y Z
 J J V B N L K S J E L R Q K P O A O F S B N S T R B U L S N
 T Q O M U S P U R O W F D F U N I C I T T Y K L R G N Y G K
 E R S H I P S N H E K E V K Z I Z U Z Q T E T V E P H J U K
 J I J W O V Z V Q P I J S S V J S S T C I J P P V F P H I J
 Z K J U N E M E S R O H M M F J N T M D O D E M U Q U W S H
 Z L I F F R Y T O T J O C O R Y C S G Y W V F T U K Y Z C R
 K S E N A C Y W E C S U Z A K T Z Y G R A S Y J V R N A T R
 C T A I G N O H W S U G L T K H X G R Q E M R I P G T P E I
 T F W B L D G P E B E F U M Y G R T H D O O W M R O W B K S
 C A L G O M O E B C I K T Z R B P I U T P K N P I B M I E H
 H Y Z O L L J M L H A T M J G F O I V B Q E L K R Q H C O J
 R Y L Y M B F J S S V D T S I Y J T Y K T C M D F L B N E G
 I B D E P I H S R O W B O E K Q P P T I F U A A V J Y Z N B
 S O B P M B A H K U D K E M R D Q G Y O V A B Y Q V A F S K
 T F P Y S O H Q R A T S E A U C B C R J M U T S M U O N M M
 F V J B Z A U O S E Q K M B A M Q J T E I L O G H O M F J I
 I B H D F C A N U C E A B P V P F N E F F T E M B E O P D J
 R S G R P W H A T N S T N C B S G H U S R E N S I B A N H M
 E V E C G J Z W H A N R O D E O A E S A S K K B S E B V R S
 I M U G K U Y V P Q I W E V O E M D S R N O V T P P H G E B
 O S C O R P I O N S R N E V U A M B E G Y O E L O A I G T N
 T A W R B K N M E L Y N B T I Y A D F Q M P F A R F N T K V
 A Z D G U O J F V K Y L U B V R L Y J F Z F G B A I B Z R M
 N S W N K I T S A D D A L B Z E O K S H U D S H V M V A B H
 R H Y E L P M E T D J P P G A U K K G W I H H A I L I B W Z
 P M P G C T P W R O I P M E U H C J R U K D L P K W O E U I

ANGELS
 ARK
 BITTER
 BLOOD
 BOTTOMLESS PIT
 CHRIST
 ELDERS
 FIRE

HAIL
 HEAVEN
 HORSEMEN
 KINGDOMS
 LOCUSTS
 LORD
 MOON
 MOUNTAIN

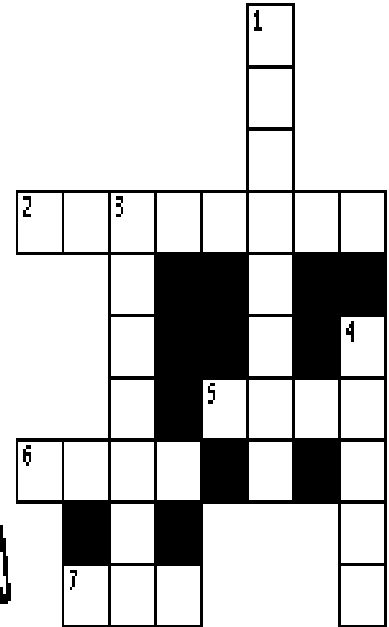
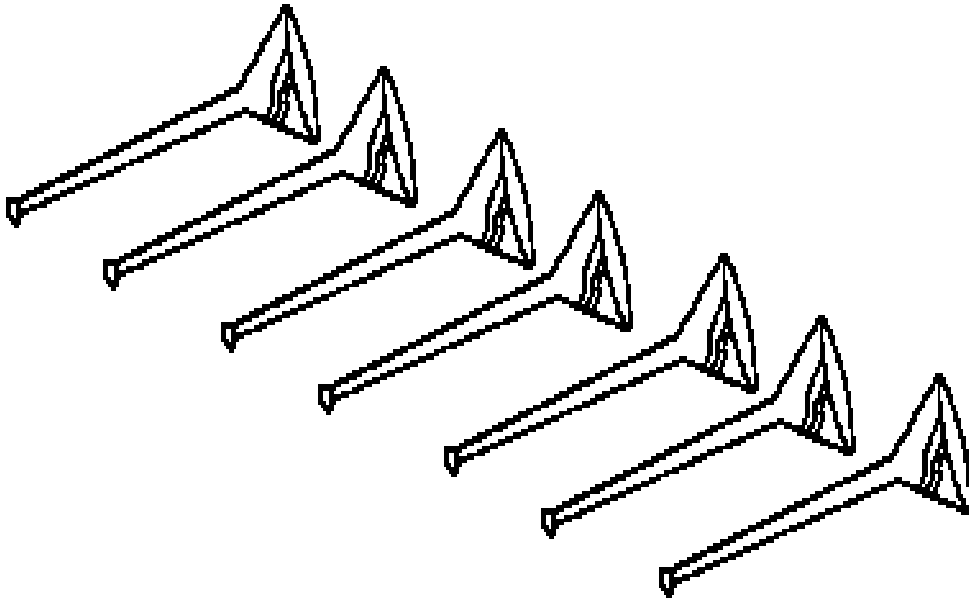
RIVERS
 SCORPIONS
 SEA
 SEVEN
 SHIPS
 SMOKE
 SPRINGS
 STAR

SUN
 TEMPLE
 TRUMPETS
 WATER
 WOE
 WORMWOOD
 WORSHIPED



311. THE SEVEN TRUMPETS

(REVELATION 8:6-9:21; 11:15-19)



- 5 ACROSS **"THE FIRST ANGEL SOUNDED:** And hail and _____ followed, mingled with blood, and they were thrown to the earth; and a third of the trees were burned up, and all green grass was burned up."
REVELATION 8:7
- 1 DOWN **"THEN THE SECOND ANGEL SOUNDED:** And something like a great _____ burning with fire was thrown into the sea..." **REVELATION 8:8**
- 6 ACROSS **"THEN THE THIRD ANGEL SOUNDED:** And a great _____ fell from heaven, burning like a torch, and it fell on a third of the rivers and on the springs of water; and the name of the star is Wormwood..."
REVELATION 8:10-11
- 2 ACROSS **"THEN THE FOURTH ANGEL SOUNDED:** And a third of the sun was struck, a third of the moon, and a third of the stars, so that a third of them were _____." **REVELATION 8:12**
- 7 ACROSS **"THEN THE FIFTH ANGEL SOUNDED:** And I saw a star fallen from heaven to the earth. And to him was given the _____ to the bottomless pit." **REVELATION 9:1**
- 3 DOWN **"THEN THE SIXTH ANGEL SOUNDED:** And I heard a voice from the four horns of the golden altar which is before God, saying to the sixth angel who had the trumpet, '_____ the four angels who are bound at the great river Euphrates.'" **REVELATION 9:13-14**
- 4 DOWN **"THEN THE SEVENTH ANGEL SOUNDED:** And there were loud voices in heaven, saying, 'The kingdoms of this world have become the kingdoms of our Lord and of His Christ, and He shall _____ forever and ever!' " **REVELATION 11:15**